

Alternatori Monofase 4 Poli

4 Pole Single-phase Alternators
Alternadores Monofásicos 4 Polos



M132 brushless a condensatore

brushless, with capacitor
sin escobillas con condensador

MR132 a spazzole, con AVR

brushes, with AVR
con escobillas y AVR

M132

Tensione standard:
50Hz: 115/230V, 120/240V
60Hz: 110/220V, 120/240V
Altri valori a richiesta

Caratteristiche tecniche

Standard Voltage:
50Hz: 115/230V, 120/240V
60Hz: 110/220V, 120/240V
Other voltages on request

Technical characteristics

Tensión estándar:
50Hz: 115/230V, 120/240V
60Hz: 110/220V, 120/240V
Otros valores bajo pedido

Características técnicas

Classe d'isolamento: H

Protezione: IP 23 (B34 optional IP44)

T.H.D. ≤ 5%

Precisione tensione: + 5%, -8% (cosφ = 1)

Buona capacità di spunto (Icc ≥ 3In)

Optional: Quadro elettrico (IP 44)

Insulation class: H

Protection: IP 23 (B34 optional IP44)

T.H.D. ≤ 5%

Voltage accuracy: + 5%, -8% (cosφ = 1)

Good starting capacity (Icc ≥ 3In)

Optional: Electrical panel (IP 44)

Clase de aislamiento: H

Protección: IP 23 (B34 optional IP44)

T.H.D. ≤ 5%

Precisión de la tensión: + 5%, -8% (cosφ = 1)

Buena corriente de arranque (Icc ≥ 3In)

Optional: Cuadro eléctrico (IP 44)

MR132

Tensione standard:
50Hz: range 220÷240V
60Hz: range 220÷240V
Altri valori o doppia tensione a richiesta

Caratteristiche tecniche

Standard Voltage:
50Hz: range 220÷240V
60Hz: range 220÷240V
Other voltages or double voltage on request

Technical characteristics

Tensión estándar:
50Hz: range 220÷240V
60Hz: range 220÷240V
Otros valores o tension dobla bajo pedido

Características técnicas

Classe d'isolamento: H

Protezione: IP 23 (B34 optional IP44)

T.H.D. ≤ 6%

Precisione tensione: ± 1,5% (independente dal cosφ)

Buona capacità di spunto (Icc ≥ 3In)

Optional: Quadro elettrico (IP 44)

Insulation class: H

Protection: IP 23 (B34 optional IP44)

T.H.D. ≤ 6%

Voltage accuracy: ± 1,5% (regardless of cosφ)

Good starting capacity (Icc ≥ 3In)

Optional: Electrical panel (IP 44)

Clase de aislamiento: H

Protección: IP 23 (B34 optional IP44)

T.H.D. ≤ 6%

Precisión de la tensión: ± 1,5% (sin depender de cosφ)

Buena corriente de arranque (Icc ≥ 3In)

Optional: Cuadro eléctrico (IP 44)

Regolatore elettronico AVR860:

- Provvisto di protezioni per Sottovolatilità, Massima tensione, Massima corrente di eccitazione, Sovraccarico prolungato (max kVA)
- Possibilità di regolare la tensione a distanza

AVR 860 electronic regulator

- Supplied with protections for Underspeed, Maximum voltage, Maximum excitation current, Prolonged overload (max kVA)
- Possibility of voltage remote adjustment

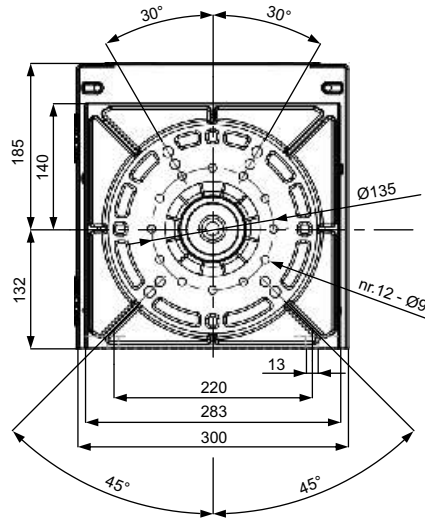
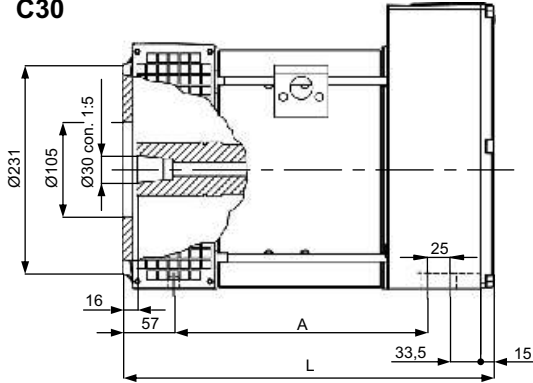
Regulador electrónico AVR 860

- Equipados con protecciones para Sub-velocidad, Máxima tensión eléctrica, Máxima corriente de excitación, Sobrecarga prolongada (max kVA)
- Posibilidad de regulación de la tensión a distancia

Modello Type Modelo	Potenza Output power Potencia		Potenza assorbita Driving power Potencia absorbida		Potenza Output power Potencia		Potenza assorbita Driving power Potencia absorbida		Peso Weight Peso		
	cosφ 1 [kVA]	cosφ 0,8 [kVA]	4/4 - cosφ 1 [kW]	η %	cosφ 1 [kVA]	cosφ 0,8 [kVA]	4/4 - cosφ 1 [kW]	η %	B3/B9 [kg]	B34 [kg]	SAE [kg]
	50Hz - 1500rpm				60Hz - 1800rpm						
M 132 XSA	4,5	---	5,8	77,0	5,5	---	7,1	78,0	46,0	48,0	54,0
M 132 XSB	6,5	---	8,1	80,0	8,0	---	9,9	81,0	52,0	54,0	60,0
M 132 SA	8,5	---	10,5	81,0	10,0	---	12,2	82,0	62,0	64,0	70,0
M 132 SB	10,0	---	12,2	82,0	12,5	---	15,1	83,0	71,0	73,0	79,0
M 132 MA	12,5	---	14,9	84,0	15,0	---	17,6	85,0	88,0	90,0	96,0
M 132 LB	16,0	---	18,9	84,5	20,0	---	23,4	85,5	118,0	120,0	126,0
MR 132 SA	8,0	6,5	9,9	81,0	10,0	8,0	12,2	82,0	64,0	66,0	72,0
MR 132 SB	10,0	8,0	12,2	82,0	13,0	10,0	15,7	83,0	73,0	75,0	81,0
MR 132 MA	13,0	10,0	15,5	84,0	16,0	13,0	18,8	85,0	90,0	92,0	98,0
MR 132 LB	16,0	13,0	18,9	84,5	20,0	16,0	23,4	85,5	120,0	122,0	128,0

B3/B9

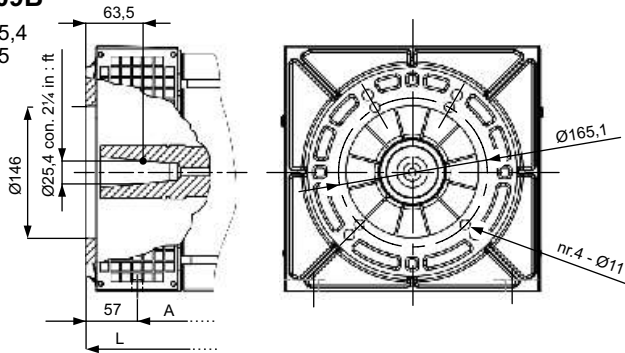
C30



B3/B9

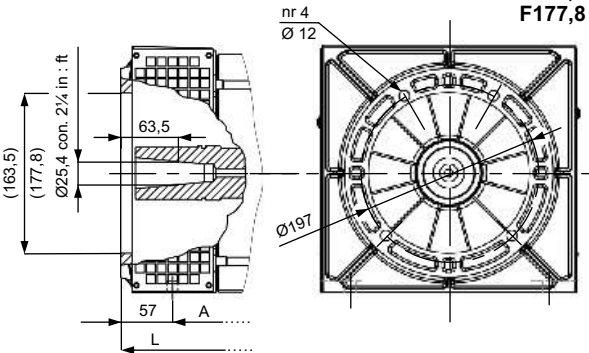
J609B

C 25,4
C 35

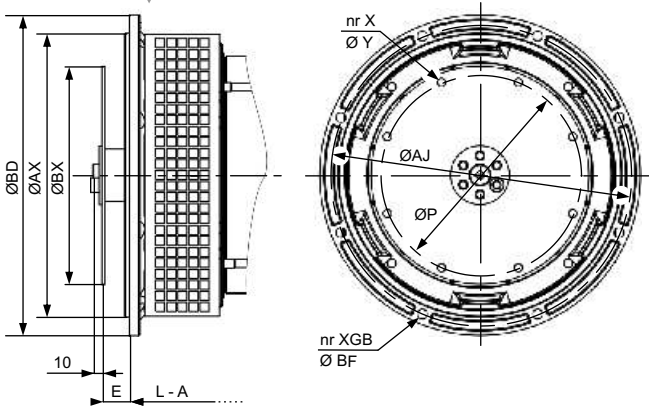


B3/B9

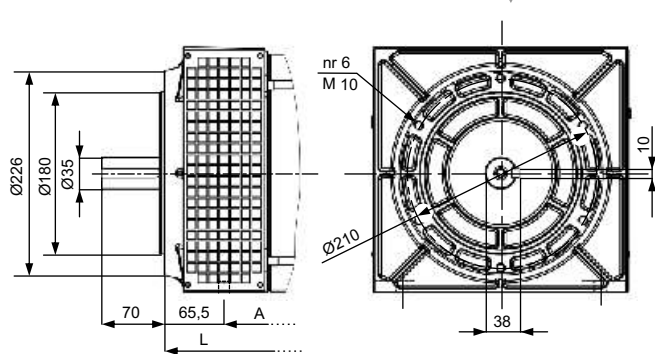
**F163,5
F177,8**



SAE



B34



Giunto Flexplate Acoplamiento	SAE	Ø BX	Ø P	E	X	Ø Y
	6,5	215,9	200,02	30,2	6	9
	7,5	241,3	222,25	30,2	8	9
	8	263,52	244,48	62	6	11
	10	314,32	295,28	53,8	8	11
	11,5	352,42	333,37	39,6	8	11

Flangia Flange Brida	SAE	Ø BD	Ø AX	Ø AJ	XGB	Ø BF
	3	450	409,57	428,62	12	11
	4	405	361,95	381	12	11
	5	375	314,33	333,4	8	11

B3/B9

	132 XS	132 S	132 M	132 L
A	280,5	330,5	380,5	475,5
L	411	461	511	606

B34

	132 XS	132 S	132 M	132 L
A	280,5	330,5	380,5	475,5
L	419,5	469,5	519,5	614,5

SAE

	SAE 4, SAE 5				SAE 3			
	132 XS	132 S	132 M	132 L	132 XS	132 S	132 M	132 L
A	336,5	386,5	436,5	531,5	327	377	427	522
L	410	460	510	605	400,5	450,5	500,5	595,5

Dati tecnici non impegnativi: NSM si riserva il diritto di apportare modifiche senza l'obbligo di darne preventiva comunicazione. Technical data not binding: NSM reserves the right to modify the contents without prior notice. Datos tecnicos sin compromiso: NSM se reserva el derecho de aportar modificaciones sin la obligacion de previo aviso.