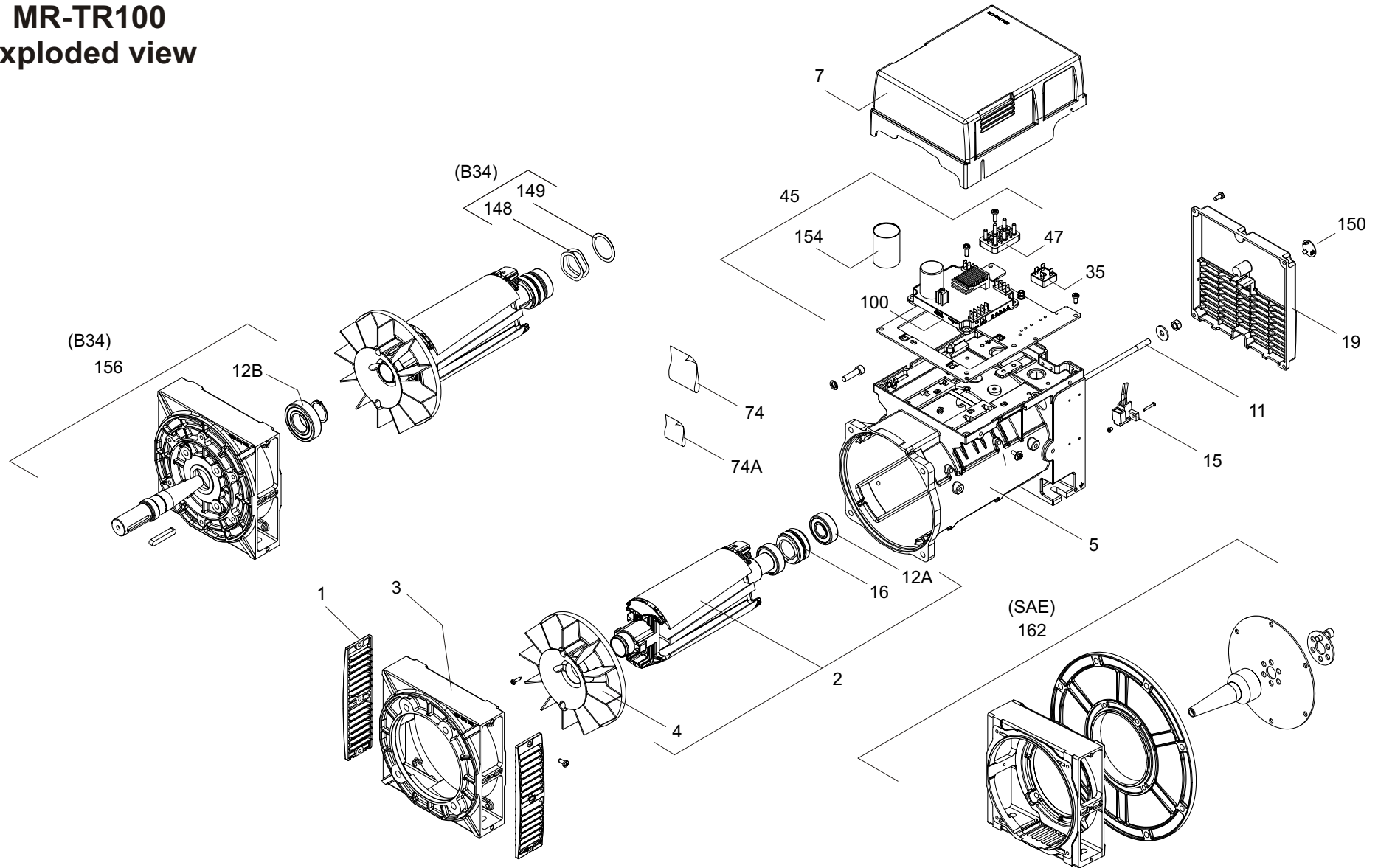


MR-TR100 exploded view



Lista Ricambi MR-TR100 - MR-TR100 Spare Parts List - Pièces Détachées MR-TR100

N.	q.ty	CODE	descrizione	description	description
1	2		cuffia espulsione aria IP23	IP23 outlet grid	Grille de protection IP23
2	1	5AA1217--	Rotore avvolto completo TR100 SC (4-12A-16)	complete Wound rotor TR100 SC (with 4-12A-16)	Roue polaire bobiné complet TR100 SC (avec 4-12A-16)
2	1	5AA1217--	Rotore avvolto completo TR100 LA (4-12A-16)	complete Wound rotor TR100 LA (with 4-12A-16)	Roue polaire bobiné complet TR100 LA (avec 4-12A-16)
2	1	5AA1217--	Rotore avvolto completo TR100 LB (4-12A-16)	complete Wound rotor TR100 LB (with 4-12A-16)	Roue polaire bobiné complet TR100 LB (avec 4-12A-16)
2	1	5AA1219--	Rotore avvolto completo MR100 SF (4-12A-17-48)	complete Wound rotor - MR100 SF (with 4-12A-17-48)	Roue polaire bobiné complet - MR100 SF (avec 4-12A-17-48)
2	1	5AA1219--	Rotore avvolto completo MR100 SG (4-12A-17-48)	complete Wound rotor - MR100 SG (with 4-12A-17-48)	Roue polaire bobiné complet - MR100 SG (avec 4-12A-17-48)
2	1	5AA1219--	Rotore avvolto completo MR100 LH (4-12A-17-48)	complete Wound rotor - MR100 LH (with 4-12A-17-48)	Roue polaire bobiné complet - MR100 LH (avec 4-12A-17-48)
2	1	5AA1219--	Rotore avvolto completo MR100 LL (4-12A-17-48)	complete Wound rotor - MR100 LL (with 4-12A-17-48)	Roue polaire bobiné complet - MR100 LL (avec 4-12A-17-48)
3	1	3SLA10012	scudo anteriore J609B C22-25,4-35	drive end bracket - J609b C22-25,4-35	Flasque avant - J609b C22-25,4-35
3	1	3SLA10013	scudo anteriore C23-30	drive end bracket - C23-C30	Flasque avant - C23-C30
3	1	3SLA10017	scudo anteriore B34	drive end bracket - B34	Flasque avant - B34
4	1	1VGA10003	ventola	fan	Ventilateur
5	1	5FR1207--	Carcassa avvolta TR100 SC	Wound frame TR100 SC	Carcasse bobiné TR100 SC
5	1	5FR1207--	Carcassa avvolta TR100 LA	Wound frame TR100 LA	Carcasse bobiné TR100 LA
5	1	5FR1207--	Carcassa avvolta TR100 LB	Wound frame TR100 LB	Carcasse bobiné TR100 LB
5	1	5FA1208--	Carcassa avvolta MR100 SF	Wound frame MR100 SF	Carcasse bobiné MR100 SF
5	1	5FA1208--	Carcassa avvolta MR100 SG	Wound frame MR100 SG	Carcasse bobiné MR100 SG
5	1	5FA1208--	Carcassa avvolta MR100 LH	Wound frame MR100 LH	Carcasse bobiné MR100 LH
5	1	5FA1208--	Carcassa avvolta MR100 LL	Wound frame MR100 LL	Carcasse bobiné MR100 LL
7	1	1GGA100122	coperchio basso chiuso	Blind top cover	Couvercle sans trous
7	1	1GGA10013	coperchio alto	High top cover	Couvercle haut
11	1	7TZ---	Tirante rotore	rotor rod	Tige de roue polaire
12A	1	7CV62042R	Cuscinetto	ball bearing	Roulement
12B	1	7CV62062R	Cuscinetto per B34	Ball bearing for B34	Roulement pour B34
15	1	3PSM04080R	portaspazzole completo	complete brush holder	Porte-balais complete
16	1	7COG0502	Collettore	slip ring	Bagues
19	1	1GGA10011	Cuffia aspirazione cieca	Blind cover	Couvercle arriere sans trous

Lista Ricambi MR-TR100 - MR-TR100 Spare Parts List - Pièces Détachées MR-TR100

N.	q.ty	CODE	descrizione	description	description
35	1	KPD25A02	Ponte raddrizzatore per CB	B.C. rectifier bridge	Pont redresseur pour C.B.
45	1	5CA1206--	Gruppo completo AVR (con [47]-100-154-[35])	complete AVR bracket (with [47]-100-154-[35])	Groupe complet châssis pour AVR (avec [47]-100-154-[35])
47	1	7MTP060502	morsettiera 6 perni (solo TR)	6 studs terminal board (only for TR)	Plaque à 6 bornes (exclusivement TR)
74	1	7ATSH10M1	sacchetto viteria	assembling screw kit	Kit vis pour l'assemblage
74	1	7ATSH10F	sostituito da: 7ATSH10M1	replaced by: 7ATSH10M1	remplacé par 7ATSH10M1
74A	1	7ATSH10TM5	sacchetto viteria × collegamento morsettiera (solo TR)	T100 terminal board connection screw kit (only for TR)	Kit vis pour connexions plaque à bornes (exclusivement TR)
100	1	KVR0860T	regolatore AVR	AVR voltage regulator	regulateur AVR
148	2	7OC047	Anello compensazione (B34)	compensation ring (B34)	Bague de compensation (B34)
149	1	7OP04710	Anello di spessoramento (B34)	shimming ring (B34)	Bague(B34)
150	1	7PRTS0232	tappo di chiusura	plastic plug	Bouchon
154	1	KCFTR100	filtro EMC	EMC filter	filtre EMC
156	1	7ATK110	Kit scudo B34 (con 12B)	Drive end bracket kit for B34 (with 12B)	Kit Flasque avant pour B34 (avec 12B)
162	1	3ATKSH---	Kit SAE	Kit SAE	Kit SAE

nella richiesta di parti di ricambio Vi preghiamo di comunicare sempre il tipo di alternatore/optional e le relative caratteristiche

On requesting of spare parts, please always indicate alternator/optional type and its characteristics

Nous vous prions d'indiquer toujours, dans vos commandes de pièces de rechanges, la description e les caracteristiques de la machine/optional