

Alternatori Trifase 4 Poli

4 Pole Three-phase Alternators
Alternadores Trifásicos 4 Polos



T132

a spazzole e compound

brushes, with compound
con escobillas y compound

TR132

a spazzole, con AVR

brushes, with AVR
con escobillas y AVR

T132

Tensione standard:

50Hz: 230/400V, 240/415V
60Hz: 127/220V, 220/380V
Altri valori a richiesta

Caratteristiche tecniche

Classe d'isolamento: H

Protezione: IP 23 (B34 optional IP44)

T.H.D. ≤ 4%

Precisione tensione: ± 5% (cosφ = 0,9)

Elevata capacità di spunto (Icc = 3÷4In)

Optional: Quadro elettrico (IP 44)

Standard Voltage:

50Hz: 230/400V, 240/415V
60Hz: 127/220V, 220/380V
Other voltages on request

Technical characteristics

Insulation class: H

Protection: IP 23 (B34 optional IP44)

T.H.D. ≤ 4%

Voltage accuracy: ± 5% (cosφ = 0,9)

High starting capacity (Icc = 3÷4In)

Optional: Electrical panel (IP 44)

Tensión estándar:

50Hz: 230/400V, 240/415V
60Hz: 127/220V, 220/380V
Otros valores bajo pedido

Características técnicas

Clase de aislamiento: H

Protección: IP 23 (B34 optional IP44)

T.H.D. ≤ 4%

Precisión de la tensión: ± 5% (cosφ = 0,9)

Elevada corriente de arranque (Icc = 3÷4In)

Opcional: Cuadro eléctrico (IP 44)

TR132

Tensione standard:

50Hz: range 230÷240/400÷415V
60Hz: 127/220V, 220/380V
Altri valori a richiesta

Caratteristiche tecniche

Classe d'isolamento: H

Protezione: IP 23 (B34 optional IP44)

T.H.D. ≤ 4%

Precisione tensione: ± 1,5% (independente dal cosφ)

Buona capacità di spunto (Icc ≥ 3In)

Optional: Quadro elettrico (IP 44)

Regolatore elettronico AVR860:

- Provvisto di protezioni per Sottovelocità, Massima tensione, Massima corrente di eccitazione, Sovraccarico prolungato (max kVA)
- Possibilità di regolare la tensione a distanza

Standard Voltage:

50Hz: range 230÷240/400÷415V
60Hz: 127/220V, 220/380V
Other voltages on request

Technical characteristics

Insulation class: H

Protection: IP 23 (B34 optional IP44)

T.H.D. ≤ 4%

Voltage accuracy: ± 1,5% (regardless of cosφ)

Good starting capacity (Icc ≥ 3In)

Optional: Electrical panel (IP 44)

AVR 860 electronic regulator

- Supplied with protections for Underspeed, Maximum voltage, Maximum excitation current, Prolonged overload (max kVA)
- Possibility of voltage remote adjustment

Tensión estándar:

50Hz: range 230÷240/400÷415V
60Hz: 127/220V, 220/380V
Otros valores bajo pedido

Características técnicas

Clase de aislamiento: H

Protección: IP 23 (B34 optional IP44)

T.H.D. ≤ 4%

Precisión de la tensión: ± 1,5% (sin depender de cosφ)

Buena corriente de arranque (Icc ≥ 3In)

Opcional: Cuadro eléctrico (IP 44)

Regulador electrónico AVR 860

- Equipados con protecciones para Sub-velocidad, Máxima tensión eléctrica, Máxima corriente de excitación, Sobrecarga prolongada (max kVA)
- Posibilidad de regulación de la tensión a distancia

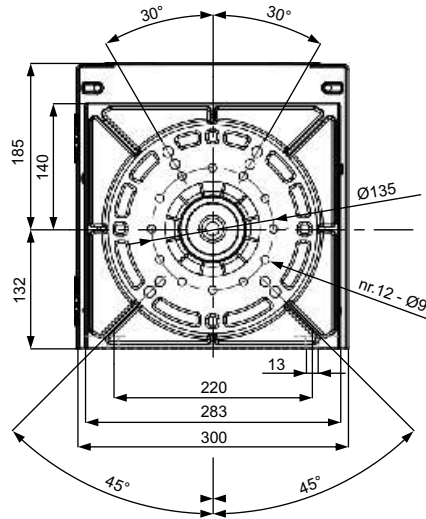
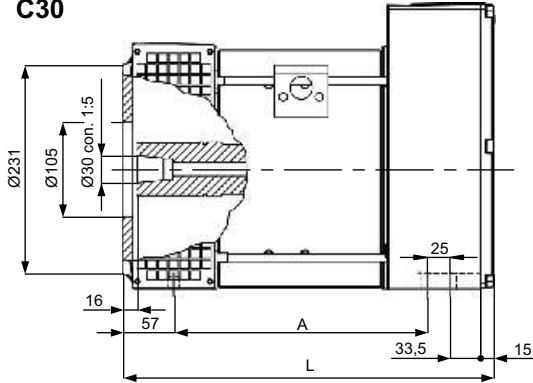
Modello Type Modelo	Potenza Output power Potencia		Potenza assorbita Driving power Potencia absorbida		Potenza Output power Potencia		Potenza assorbita Driving power Potencia absorbida		Peso Weight Peso		
	3 phase cosφ 0,8 [kVA]	1 phase λ cosφ 1 [kVA]	4/4 - cosφ 0,8 [kW]	η %	3 phase cosφ 0,8 [kVA]	1 phase λ cosφ 1 [kVA]	4/4 - cosφ 0,8 [kW]	η %	B3/B9 [kg]	B34 [kg]	SAE [kg]

	50Hz - 1500rpm				60Hz - 1800rpm						
T 132 XSA	8,0	3,2	8,0	80,0	10,0	4,0	9,9	81,0	52,0	54,0	60,0
T 132 XSB	10,0	4,0	9,9	81,0	12,5	5,0	12,2	82,0	58,0	60,0	66,0
T 132 SA	13,0	5,0	12,5	83,0	16,0	6,5	15,2	84,0	68,0	70,0	76,0
T 132 SB	16,0	6,5	15,2	84,0	20,0	8,0	18,9	84,5	77,0	79,0	85,0
T 132 MA	20,0	8,0	18,6	86,0	25,0	10,0	23,1	86,5	94,0	96,0	102,0
T 132 LA	25,0	10,0	23,1	86,5	30,0	12,0	27,6	87,0	112,0	114,0	120,0
T 132 LB	30,0	12,0	27,6	87,0	35,0	14,0	31,8	88,0	124,0	126,0	132,0
TR 132 XSB	10,0	4,0	9,9	81,0	12,5	5,0	12,2	82,0	54,0	56,0	62,0
TR 132 SA	13,0	5,0	12,5	83,0	16,0	6,5	15,2	84,0	64,0	66,0	72,0
TR 132 SB	15,0	6,0	14,3	84,0	18,0	7,0	17,0	84,5	73,0	75,0	81,0
TR 132 MA	20,0	8,0	18,6	86,0	25,0	10,0	23,1	86,5	90,0	92,0	98,0
TR 132 LA	25,0 *	10,0	23,1	86,5	30,0 *	12,0	27,6	87,0	108,0	110,0	116,0
TR 132 LB	30,0 *	12,0	27,6	87,0	35,0 *	14,0	31,8	88,0	120,0	122,0	128,0

* SAE Power, B34-B3/B9=90% Power

B3/B9

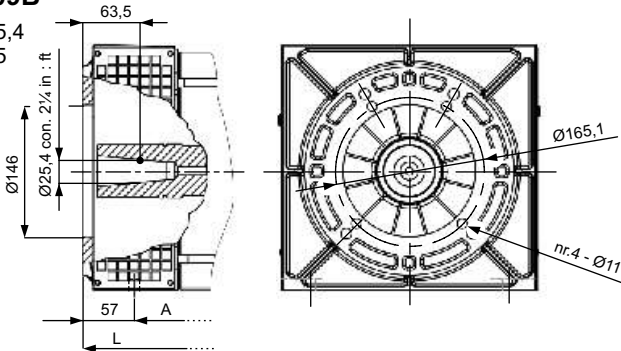
C30



B3/B9

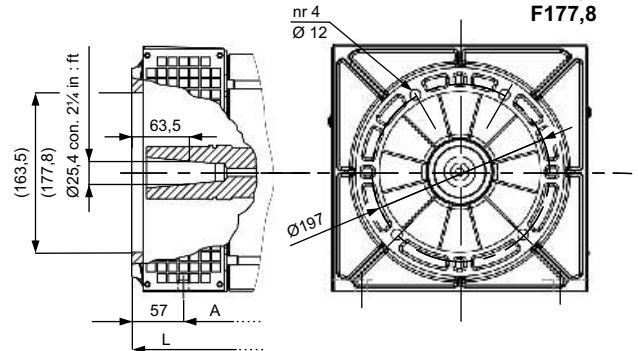
J609B

C 25,4
C 35

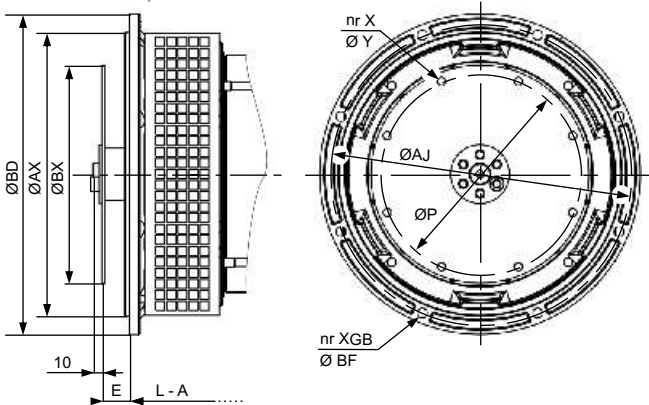


B3/B9

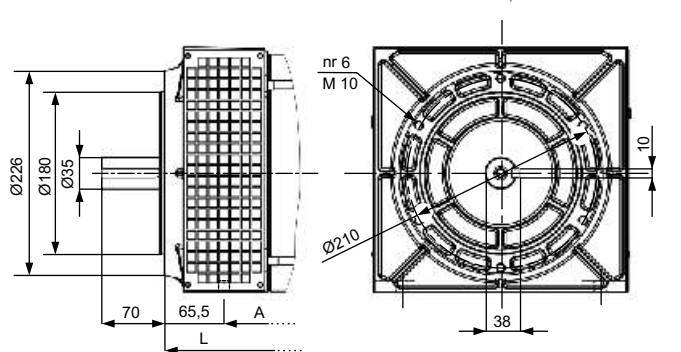
**F163,5
F177,8**



SAE



B34



Giunto Flexplate Acoplamiento	SAE	Ø BX	Ø P	E	X	Ø Y
	6,5	215,9	200,02	30,2	6	9
	7,5	241,3	222,25	30,2	8	9
	8	263,52	244,48	62	6	11
	10	314,32	295,28	53,8	8	11
	11,5	352,42	333,37	39,6	8	11

Flangia Flange Brida	SAE	Ø BD	Ø AX	Ø AJ	XGB	Ø BF
	3	450	409,57	428,62	12	11
	4	405	361,95	381	12	11
	5	375	314,33	333,4	8	11

B3/B9

	132 XS	132 S	132 M	132 L
A	280,5	330,5	380,5	475,5
L	411	461	511	606

B34

	132 XS	132 S	132 M	132 L
A	280,5	330,5	380,5	475,5
L	419,5	469,5	519,5	614,5

SAE

	SAE 4, SAE 5				SAE 3			
	132 XS	132 S	132 M	132 L	132 XS	132 S	132 M	132 L
A	336,5	386,5	436,5	531,5	327	377	427	522
L	410	460	510	605	400,5	450,5	500,5	595,5

Dati tecnici non impegnativi: NSM si riserva il diritto di apportare modifiche senza l'obbligo di darne preventiva comunicazione. Technical data not binding: NSM reserves the right to modify the contents without prior notice. Datos tecnicos sin compromiso: NSM se reserva el derecho de aportar modificaciones sin la obligacion de previo aviso.