

ALTERNATORI MONOFASE - 4 Poli

SINGLE-PHASE ALTERNATORS - 4 Poles

C132
Brushless a condensatore
Brushless with Capacitor

CR132
A spazzole con AVR-d
Brush with AVR-d



Caratteristiche tecniche
C132
Tensione standard 50Hz: 115/230V, 120/240V 60Hz: 110/220V, 120/240V Altri valori a richiesta
Classe d'isolamento H
Protezione IP 23
T.H.D. ≤ 5%
Precisione tensione +5%, -8% (cosφ = 1)
Capacità di spunto (Icc ≥ 3In)
CR132
Tensione standard 50Hz: range 220÷240V 60Hz: range 220÷240V Altri valori a richiesta
Classe d'isolamento H
Protezione IP 23
T.H.D. ≤ 6%
Precisione tensione ± 1,5% (indipendentemente dal cosφ)
Capacità di spunto (Icc ≥ 3In)
Regolatore automatico di tensione AVR960D
<ul style="list-style-type: none"> • Provvisto di protezioni per Sottovolatilità, Massima tensione, Massima corrente di eccitazione, Sovraccarico prolungato (max kVA) • Possibilità di regolare la tensione a distanza

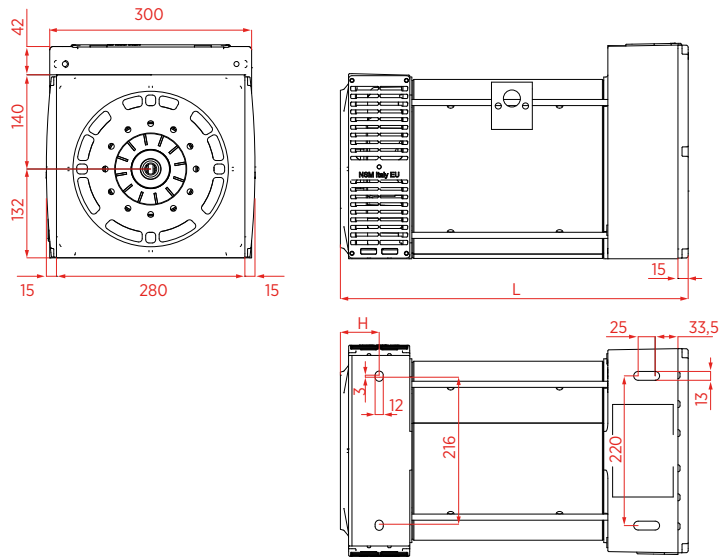
Technical characteristics
C132
Standard voltage 50Hz: 115/230V, 120/240V 60Hz: 110/220V, 120/240V Other voltages on request
Insulation class H
Protection IP 23
T.H.D. ≤ 5%
Voltage accuracy +5%, -8% (cosφ = 1)
Starting capacity (Icc ≥ 3In)
CR132
Standard voltage 50Hz: range 220÷240V 60Hz: range 220÷240V Other voltages on request
Insulation class H
Protection IP 23
T.H.D. ≤ 6%
Voltage accuracy ± 1,5% (regardless of cosφ)
Starting capacity (Icc ≥ 3In)
Automatic Voltage Regulator AVR960D
<ul style="list-style-type: none"> • Supplied with protections for Underspeed, Maximum voltage, Maximum excitation current, Prolonged overload (max kVA) • Remotely adjustable voltage regulator

Modello Model	Potenza Output Power		Potenza assorbita Driving Power		Potenza Output Power		Potenza assorbita Driving Power		Peso Weight		
	cosφ 1 [kVA]	cosφ 0,8 [kVA]	4/4 - cosφ 1 [kW] η %		cosφ 1 [kVA]	cosφ 0,8 [kVA]	4/4 - cosφ 1 [kW] η%		cone [kg]	B34 [kg]	SAE [kg]
	50Hz - 1500rpm				60Hz - 1800rpm						
C132 XSA	4,5	---	5,8	77,0	5,5	---	7,1	78,0	46,0	48,0	54,0
C132 XSB	6,5	---	8,1	80,0	8,0	---	9,9	81,0	52,0	54,0	60,0
C132 SA	8,5	---	10,5	81,0	10,0	---	12,2	82,0	62,0	64,0	70,0
C132 SB	10,0	---	12,2	82,0	12,5	---	15,1	83,0	71,0	73,0	79,0
C132 MA	12,5	---	14,9	84,0	15,0	---	17,6	85,0	88,0	90,0	96,0
C132 LB	16,0	---	18,9	84,5	20,0	---	23,4	85,5	118,0	120,0	126,0
CR132 SA	8,0	6,5	9,9	81,0	10,0	8,0	12,2	82,0	64,0	66,0	72,0
CR132 SB	10,0	8,0	12,2	82,0	13,0	10,0	15,7	83,0	73,0	75,0	81,0
CR132 MA	13,0	10,0	15,5	84,0	16,0	13,0	18,8	85,0	90,0	92,0	98,0
CR132 LB	16,0	13,0	18,9	84,5	20,0	16,0	23,4	85,5	120,0	122,0	128,0

Dimensioni di ingombro

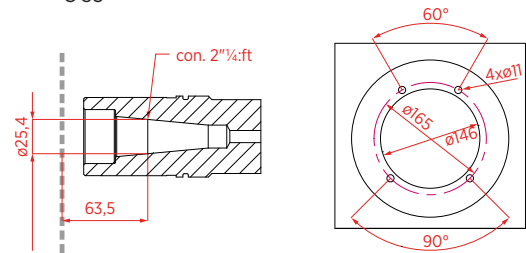
Overall Dimensions

CONE

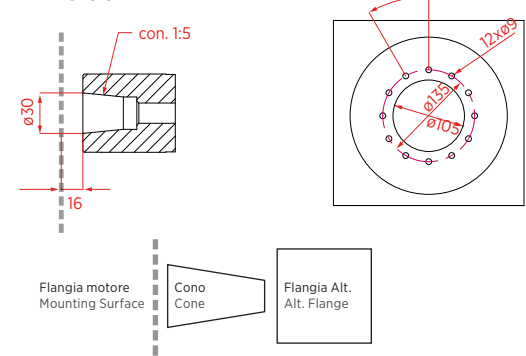


J609b

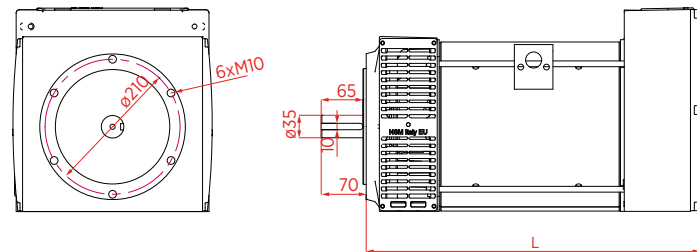
C 25,4
C 35



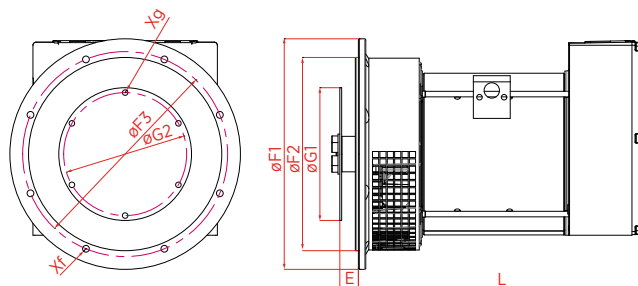
C 30



B34



SAE



SAE	Flangia Flange			
	ØF1	ØF2	ØF3	Xf
	[mm]			
5	375	314,33	333,40	Ø11 (8)
4	405	361,95	381,00	Ø11 (12)
3	450	409,58	428,63	Ø11 (12)

SAE	Giunto Joint			
	ØG1	ØG2	E	Xg
	[mm]			
6,5	215,90	200,02	30,2	Ø9 (6)
7,5	241,30	222,25	30,2	Ø9 (8)
8	263,52	244,48	62,0	Ø11 (6)
10	314,32	295,28	53,8	Ø11 (8)
11,5	352,42	333,37	39,6	Ø11 (8)

	cone		B34		SAE 5-4		SAE 3	
	L	H	L	H	L	H	L	H
	[mm]							
C132 XS-	411	57	419,5	65,5	410	---	400,5	---
C-CR132 S-	461	57	469,5	65,5	460	---	450,5	---
C-CR132 MA	511	57	519,5	65,5	510	---	500,5	---
C-CR132 LB	606	57	614,5	65,5	605	---	595,5	---

Dati tecnici non impegnativi: NSM si riserva il diritto di apportare modifiche senza l'obbligo di darne preventiva comunicazione.

Technical data not binding: NSM reserves the right to modify the contents without prior notice.